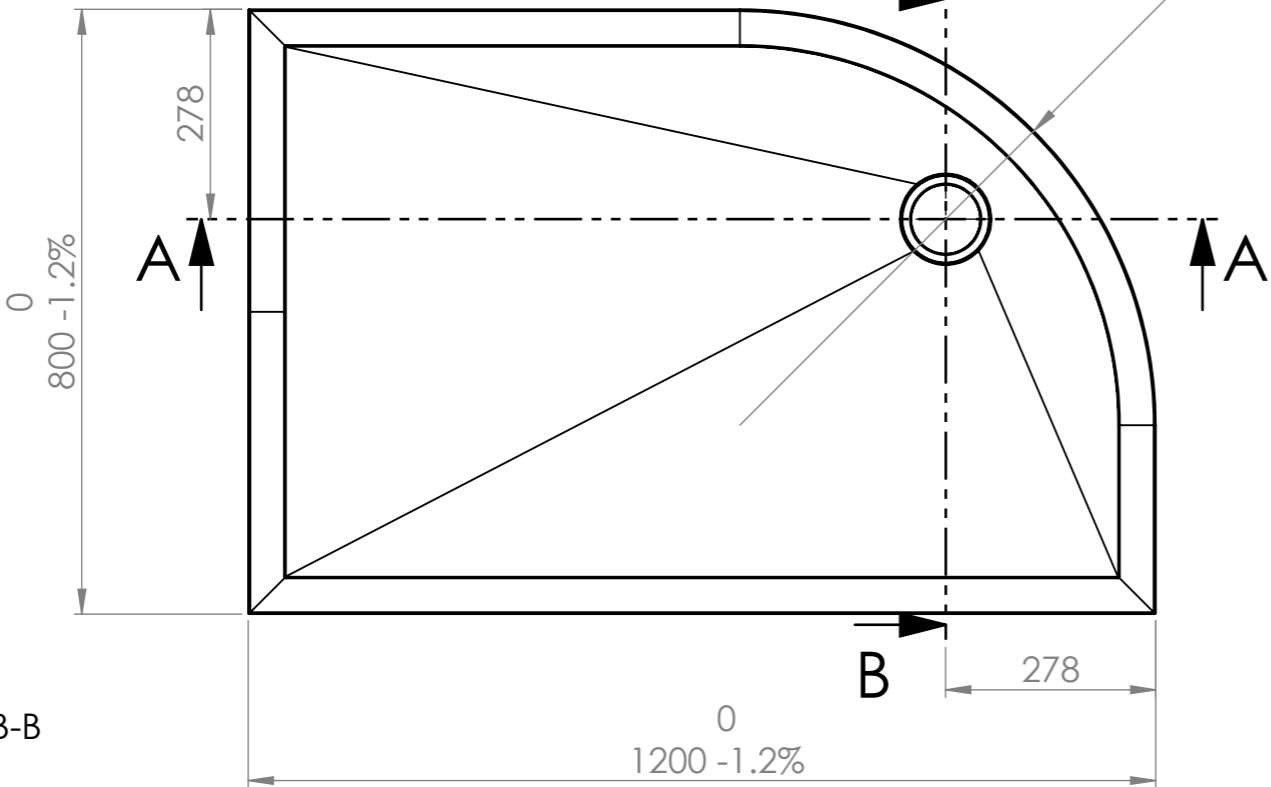


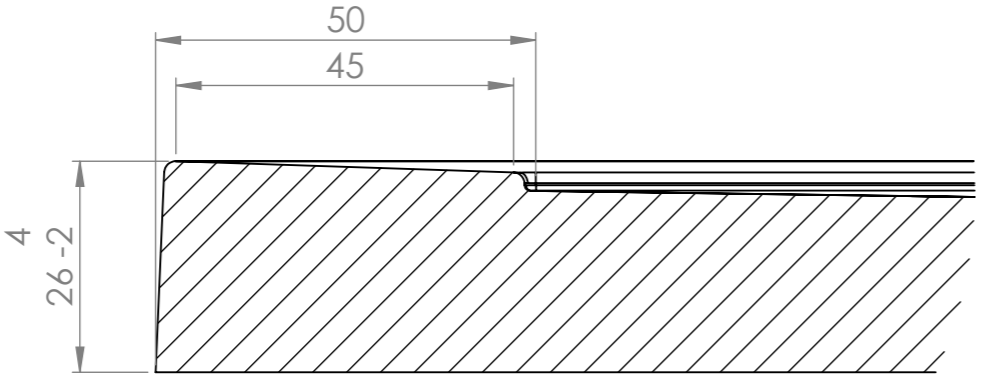
SECTION B-B



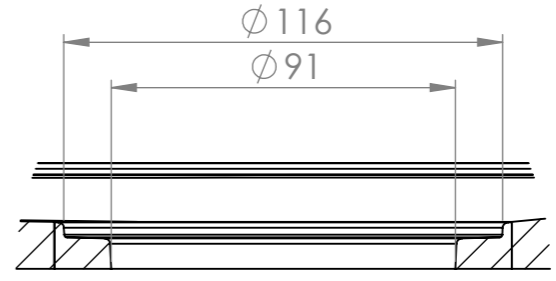
SECTION A-A



DETAIL D



DETAIL C



SCALE 1:2